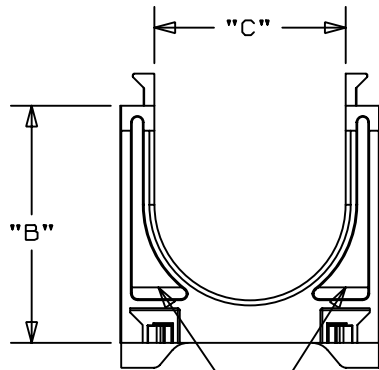
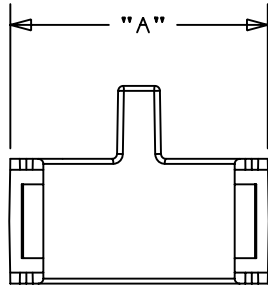
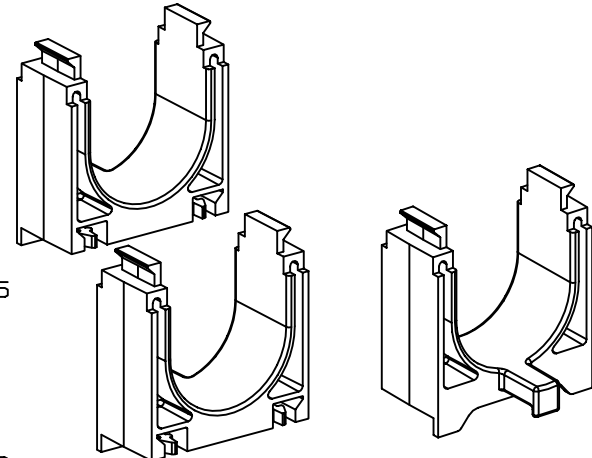
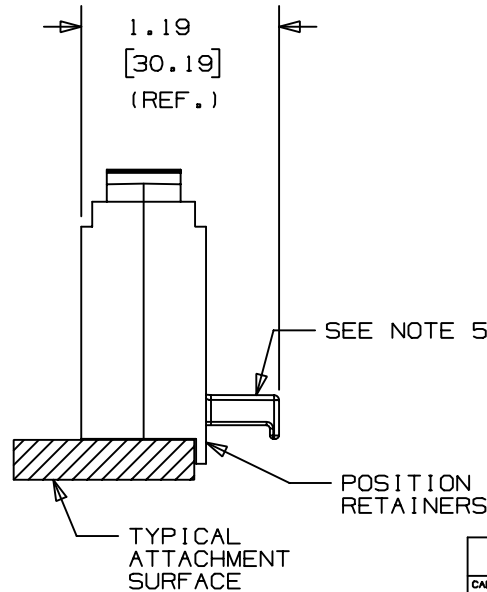


THIS COPY IS PROVIDED ON A RESTRICTED BASIS AND IS NOT TO BE USED IN ANY WAY DETRIMENTAL TO THE INTERESTS OF PANDUIT CORP.



SEE NOTE 2



PANDUIT PART NO. *	DIMENSIONS			WEIGHT lbs / 10 (grams) / pcs
	"A"	"B"	"C"	
CRS1-125- <u> </u>	1.55 (39.37)	1.43 (36.32)	1.13 (28.70)	0.247 (112.17)

NOTES:

- *1. SEE CURRENT PRICE SHEET FOR PART NUMBER SUFFIX DESIGNATION FOR PACKAGE SIZE AND COLOR.
2. PRODUCT IS MOUNTED TO APPLICATION SURFACE USING (2) CABLE TIES, UP TO A STANDARD CROSS-SECTION.
3. THIS PRODUCT CONTAINS A MALE/FEMALE ATTACHMENT SYSTEM. MAXIMUM RECOMMENDED STACK HEIGHT IS EQUAL TO 4 PARTS.
4. STANDARD CABLE TIES OR VELCRO TIES CAN BE USED TO SECURE CABLE TO THE PRODUCT.
5. PARTS ARE REVERSIBLE TO ALLOW ALTERNATING CABLE TIE TABS.

DIMENSIONS IN BRACKETS ARE METRIC [mm]	
CAD FILENAME/LAYERS G02417BC_PB_CRS1125_00	
PANDUIT CORP. TINLEY PARK, ILLINOIS	
CABLE RACK SPACER (CRS1-125-<u> </u>)	
UNLESS OTHERWISE SPECIFIED, DIMENSIONAL TOLERANCES ARE: (.X) ±0.05 (1.3) (.XXX) ±0.010 (0.25) (.XX) ±0.02 (0.5) ANGLES ± 5°	UNLESS OTHERWISE SPECIFIED, ALL DIMENSIONS ARE GIVEN IN INCHES, THIRD ANGLE PROJECTION.
DRAWN BY JAD	MAT'L: FLAME RETARDANT NYLON 6/6 25% GLASS
DATE 11/26/01	SCALE NONE
CHK'D	DRAWING NO. GB2417BC
	DWG SIZE A

REV	DATE	BY	CHK	DESCRIPTION	ECN	R	CUST	SUP
R	11/26/01	JAD		INITIAL RELEASE	GB2417BC	R		